



Self-Cleaning Low Maintenance Ioniser



**Next Day
UK Delivery**



**Dedicated
Account Manager**



**Free Shipping
Over £100***

Self-Cleaning Low Maintenance Ioniser

KS2451

Description

The KS2451 self-cleaning low maintenance ioniser is designed to be used on bench tops for static elimination. It is compact in size, measuring 180 x 72 x 201mm. The ioniser has an exquisite and sleek design. The ioniser is safe and reliable with stable performance and the fan has step-less speed regulation. It has a standard tungsten alloy needle which offers longer lifetime compared to titanium and silicon materials. The KS2451 is CE certified ensuring a high-security and high-reliability static eliminator. The ioniser features an automatic needle brushing function. By default, the needle is automatically brushed every 8 hours for manual cleaning and maintenance free. Supplied with UK power supply as standard, EU power supply available on request.

**180 x 72 x 201mm**

Key Features

- The ioniser's body is exquisite and sleek in design
- Large ion generation and fast electrostatic removal speed
- It has the function of automatic brushing pin
- Brushes the needle automatically once every 8 hours
- Fan has step-less speed regulation and stable performance
- UK power supply as standard (EU power supply on request)
- Front and rear mesh cover can be removed
- Standard tungsten alloy needle for longer lifetime
- Dedicated external power adapter
- Supplied with instruction manual
- CE certification

Effectively solve the problems caused by static electricity



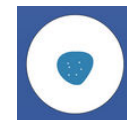
Prevent blockage of feeder



Prevent material splash



Prevent adhesion of objects



Prevent static electricity



Static removal

Self-Cleaning Low Maintenance Ioniser

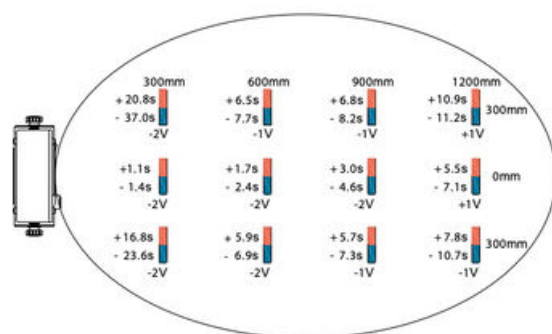
KS2451

Properties	Value
Input Voltage	15V
Power	9W
Working Voltage	±DC4000-DC7000V
Ion Emission	Steady-state DC
Emitter Electrode	Tungsten Alloy
Discharge Structure	Uncoupled electrical contact (discharge cylinder)
Discharge Range	750 x 300mm (LxW)
Discharge Speed	≤2.0s (300mm away from the air outlet)
Ion Balance	≤ ±10V (300mm away from the air outlet)
Alarm Indicator	The power indicator light on indicates working normally
Air Volume	≤89.1CFM
Noise	≤43db (1m away from the air outlet)
Ozone Thickness	≤0.05ppm (150mm away from the air outlet)
Working Temperature	0-50°C
Working Humidity	30-70%RH
Dimensions	140 x 55 x 185mm (LxWxH) (Blower body size)
Packaging Accessories	1 pair of U-shaped aluminium spray powder mounting bracket, 1 pair of bakelite screw handles (M6×12)
Shell Material	Aluminum powder spray
Power Adapter	INPUT: 100-240V 50/60Hz; OUTPUT: DC15V 1000mA
Net Weight	1500g (Including 1 external power adapter)
Gross Weight	1980g
Warranty	1 Year
Certification	CE

Self-Cleaning Low Maintenance Ioniser

KS2451

Discharge Effect	Value
Test Standard	ANSI/ESD.STM3.1, SJ/T 11446—2013
Test Instrument	Trek 157 static tester
Test Voltage	±1000V → ±100V attenuation
Test Environment	Humidity 50±5%; Temperature 23±3°C

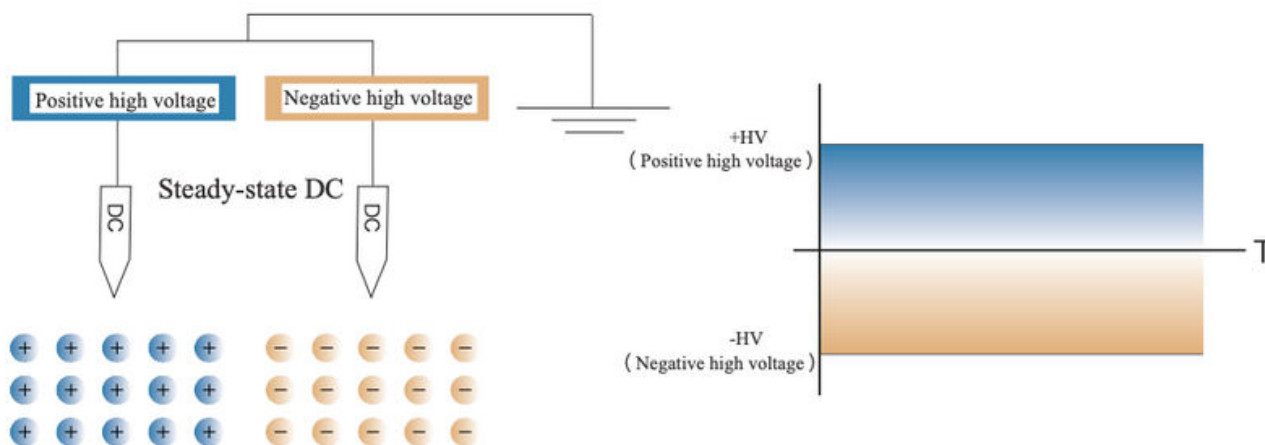


The test data as follows (test distance: 450mm in front, maximum air volume):



Working Way

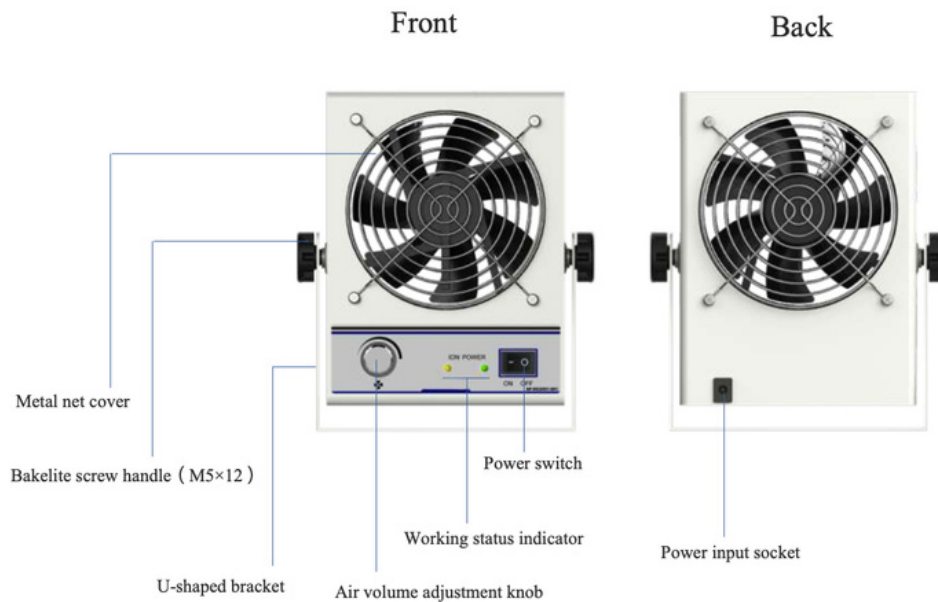
The ionising air blower adopts the synchronous emission technology of positive and negative ions, which use two sets of independent emitter electrodes to generate a direct current corona discharge to produce a large number of positive and negative air ions, which are blown by the axial fan to the surface of objects with electrostatic to be eliminated.



Self-Cleaning Low Maintenance Ioniser

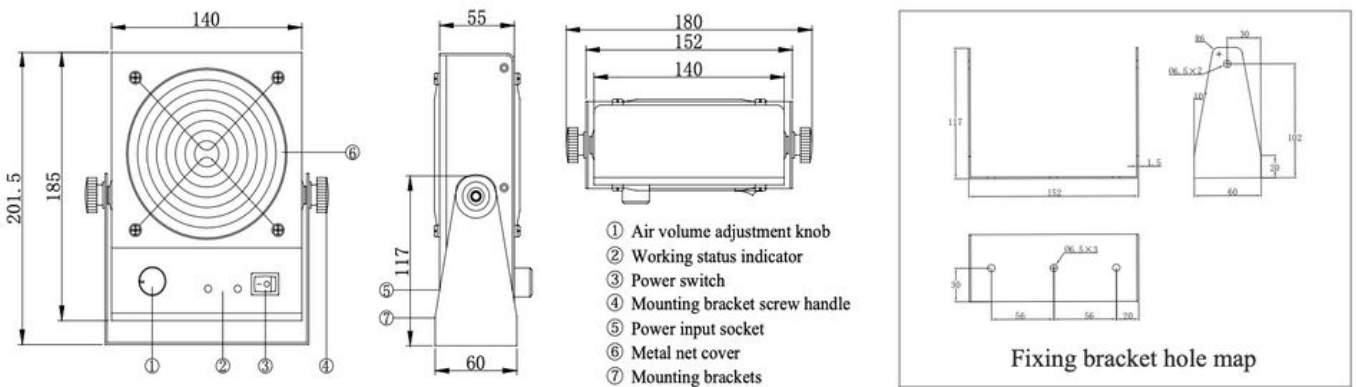
KS2451

Product Details



Product Size


Unit: mm



Self-Cleaning Low Maintenance Ioniser

KS2451

Packing Accessories

Part Name	Picture	Specification
Switching power adapter (national standard plug)		DSS28-1502000-A 100-240V 1.0A 50/60HZ DC15V-2.0A wire length 2m

Safety Warning

1. Read the operating instruction carefully before installing and using the device.
2. The whole equipment must be reliably grounded during use.
3. Do not use the device when the humidity is higher than 70%.
4. Do not use the device in inflammable and explosive environment.
5. It is strictly forbidden to disassemble products without authorization. Internal maintenance and repair must be carried out by professional personnel.
6. The product is strictly prohibited to touch liquid during use, otherwise there will be abnormal, resulting in electric shock or fire.
7. Power must be turned off during inspecting or replacing the product, otherwise it may cause electric shock or fire.
8. The product is specially designed for removing static electricity and is strictly prohibited for other purposes. Any abnormal use may cause machine failure, electric shock, fire and other hidden dangers.
9. It is strictly forbidden to touch the electrode needles when power is on, otherwise it is easy to cause fault and electric shock accident.
10. Discharge needle is a sharp metal object, please use it with care.
11. Please check the specifications of the power supply before powering on the product. Any power supply that does not meet the specifications may cause damage or even failure to the product.
12. Check the power cord and communication line regularly. If it is damaged, replace it immediately; otherwise, leakage, poor communication and abnormal operation may occur.

Self-Cleaning Low Maintenance Ioniser

KS2451

Trouble Shooting

No.	Problems	Reasons	Solutions
1	The indicator on the fan panel is off	Poor contact of the power cable Power supply mismatch	Check whether the power cable is in good condition and securely connected Confirm the power supply specification(INPUT:100— 240VAC 50/60Hz;OUTPUT:15VDC 2000mA)
2	The electrostatic removal performance is obviously reduced	Discharge needle is polluted and damaged Bearing set of ionising air blower is improper	Clean or replace the discharge needle Confirm the best bearing set
3	The electrostatic removal performance is reduced	There are conductors or other ionising air blowers around	Remove (moving) conductors or other ionising air blowers
4	Unable to discharge	High voltage module is damaged Main-board chip is damaged	Return to factory for maintenance Return to factory for maintenance
5	The product is smoky or burnt	The main control board components are burnt out	Return to factory for maintenance

Self-Cleaning Low Maintenance Ioniser

KS2451

Maintenance

1) The ionising air blower should be cleaned and maintained in time according to the use environment and the required electrostatic protection requirements in order to ensure the good performance of the product. That is, gently remove the carbon deposits on the discharge electrode and metal net cover with electrostatic brush, dust-free cotton swab, dust-free cloth dipped in anhydrous alcohol.

Note:

A. Operation must be done 10 minutes after power cut off.

B. It must be cleaned when dust or white stuff appear on the tip of the needle during use.

C. The ionising air blower must be powered on after alcohol is completely volatilized after cleaning. No other organic solvent can be used to clean the ionizing air blower.

D. The alloy electrode is a consumable product which is not included in the scope of warranty and will be charged for replacement when repairing.

2) Do not press or rotate the control buttons on the fan panel too hard; otherwise, the device will be permanently damaged.

3) If the working indicator light on the front panel of the fan is off or red, it should be stopped and repaired by professional maintenance personnel. It can be used only after the electrical performance index is normal.

After-Sales Service

1) KS2451 self-cleaning low maintenance ioniser has undergone rigorous testing and ageing treatment before ex-work. Its performance has completely reached the relevant indicators marked in the usage instruction.

2) Bondline makes a commitment to the customer that any defective parts inspected by Bondline will be repaired or replaced free of charge within one year from the date of purchase. However, this commitment does not apply to: The device is incorrectly used or installed; Damage caused by negligence or accident during use; Modified, disassembled or repaired by other service departments not authorised by Anping Company.

3) Bondline shall not be liable for any incorrect use of the products except for repair or replacement of parts as specified above.



Eliminate Costly Static Damage...

Whether you are experiencing unacceptable levels of damage in transit, need a specific cleanroom solution or simply don't know which ESD safe equipment is best for you, we can help!

Request complimentary,
no obligation advice by
speaking with one of
our technical experts
today.

